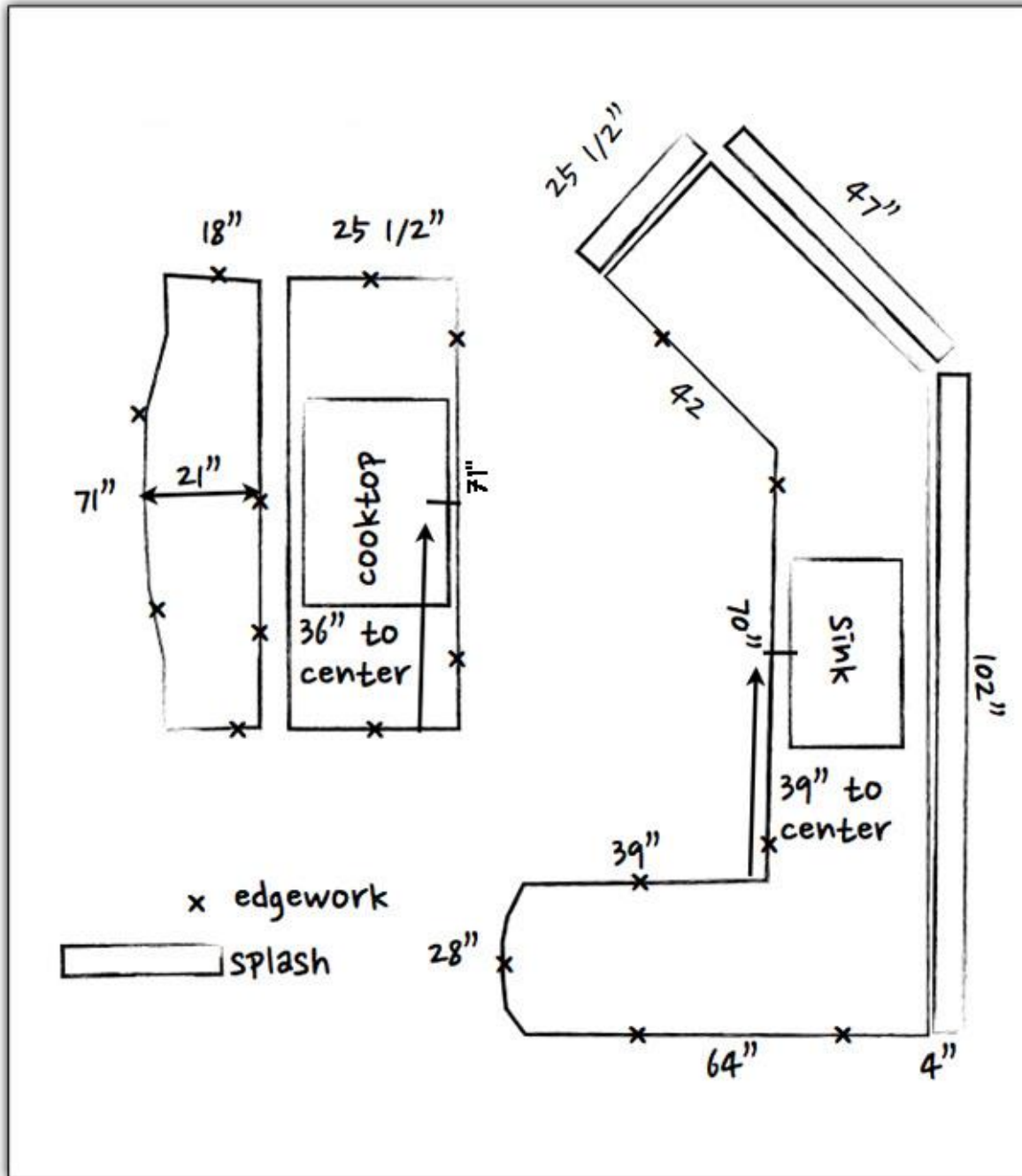


Penn Granite & Stone

Countertops Measurement Instructions

1. Print out the Countertops Measurement Worksheet and locate a pencil and measuring tape.
2. Using the countertops measurement worksheet, draw the shape of your countertop space.
3. Using a tape measure, measure in inches the dimensions of the cabinet sizes where you would like countertops. Write these in on the drawing. Please draw the locations of any cuts you will need including sinks, drop in cooktops, etc.
4. Indicate any edges that need to be finished by marking with 2 lines. (See the example below)
5. If you would like backsplash, indicate that by drawing a dotted line along that length of the countertop. Also include what size and kind you would like (4",6", Full Backsplash, Tile, Granite)

Example of countertop space drawing and measurements



The final purchase price will be determined after on-site templates of your countertop space.

